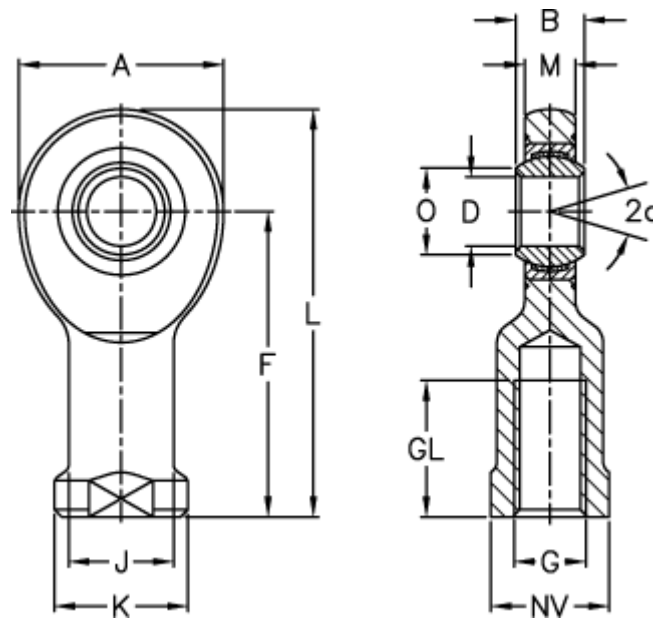


Article number: 03485060  
 Description: Fluro Rod end EIL 60D-2RS  
 Note: 60

## Measures



A	= 135	J	= 70
a (degrees)	= 6	K	= 88
B	= 44	L	= 242.5
D	= 60	M	= 38
Dynamic drive (kN)	= 460	NV	= 75
F	= 175	O	= 66.8
g	= M52x3	Static drive kN	= 497
GL	= 70	Weight	= 5550